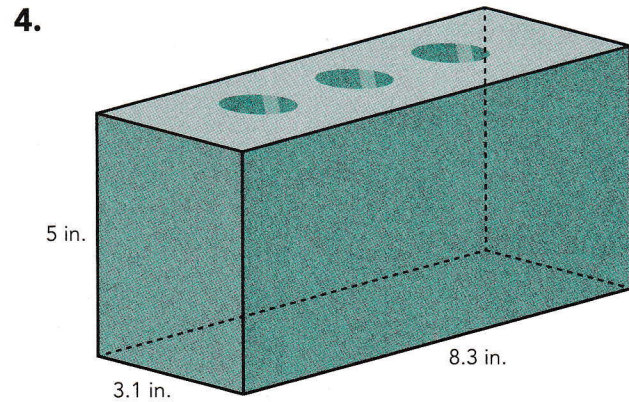
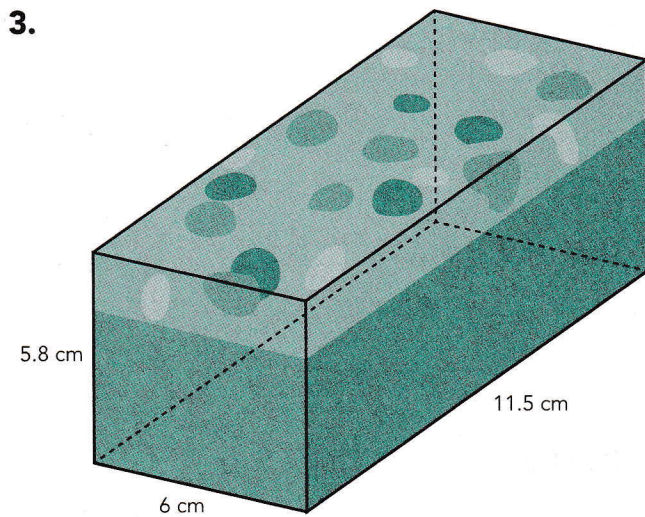
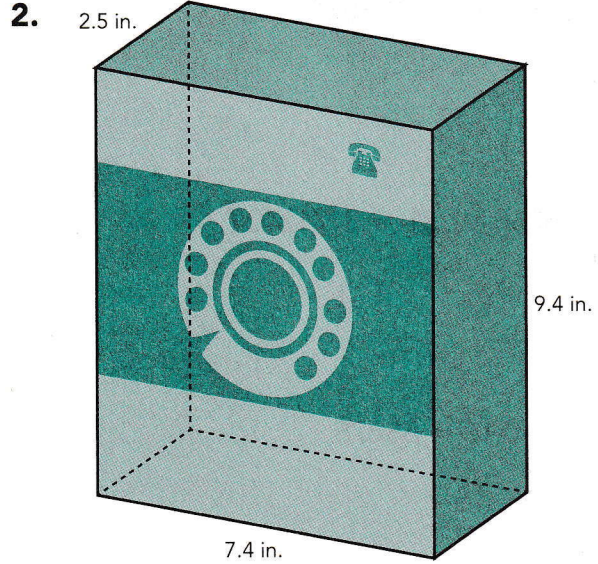
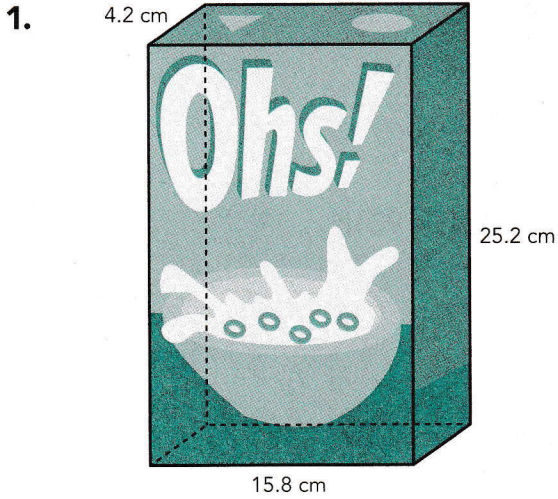


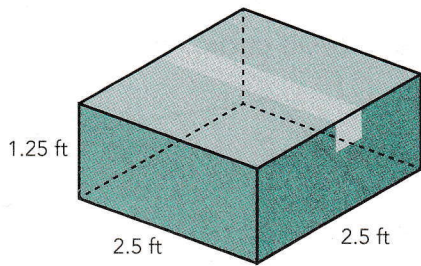
VI. Calculating Volume of Right Prisms

A. Determine the volume of each right rectangular prism.

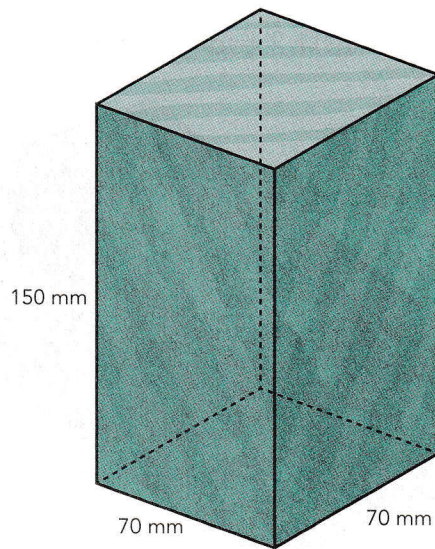


Name _____ Date _____

5.



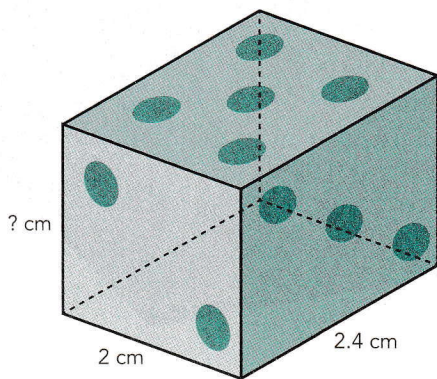
6.



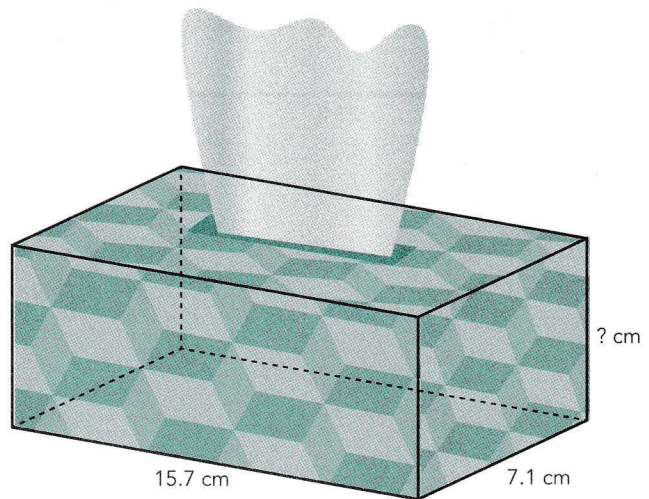
VII. Using Volume of Right Prisms

A. Given the volume, determine the unknown measure.

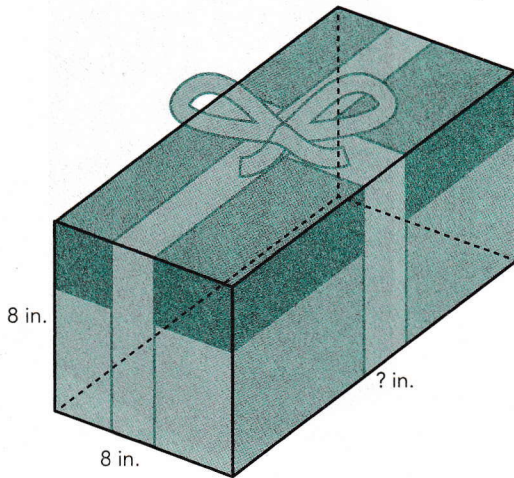
1. Volume = 10.08 cubic centimeters



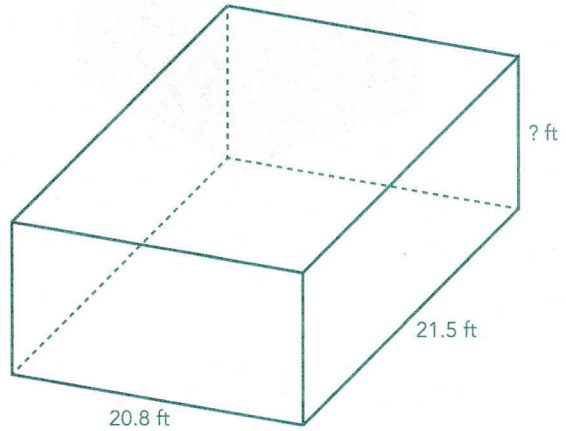
2. Volume = 869.466 cubic centimeters



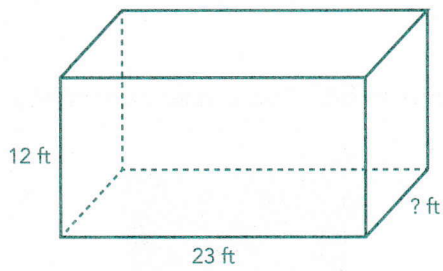
3. Volume = 1011.2 cubic inches



4. Volume = 6708 cubic feet



5. Volume = 3312 cubic feet



6. Volume = 268.128 cubic centimeters

