

Name _____

Date _____

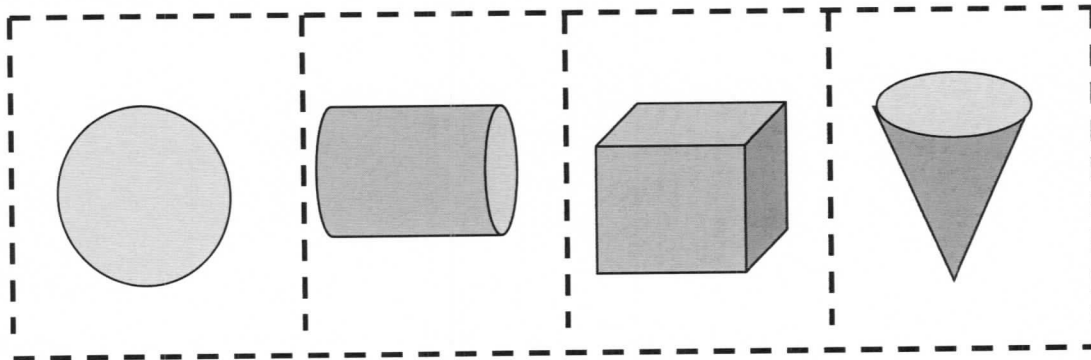
Directions: Read to students.

Paste the sphere **above** the train.

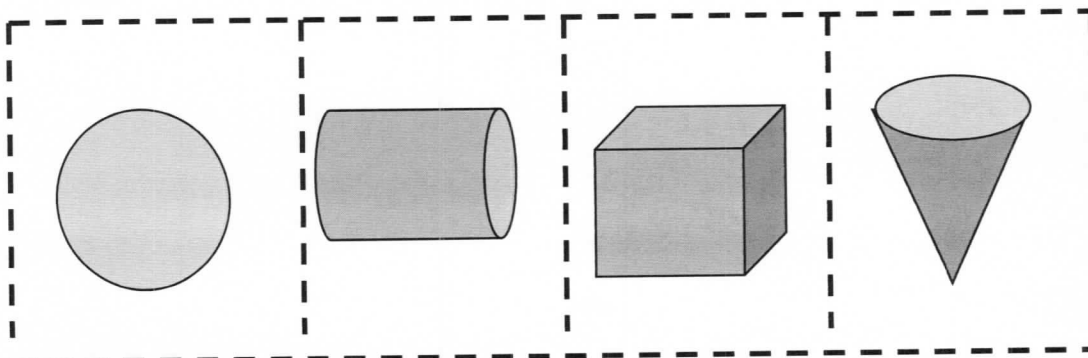
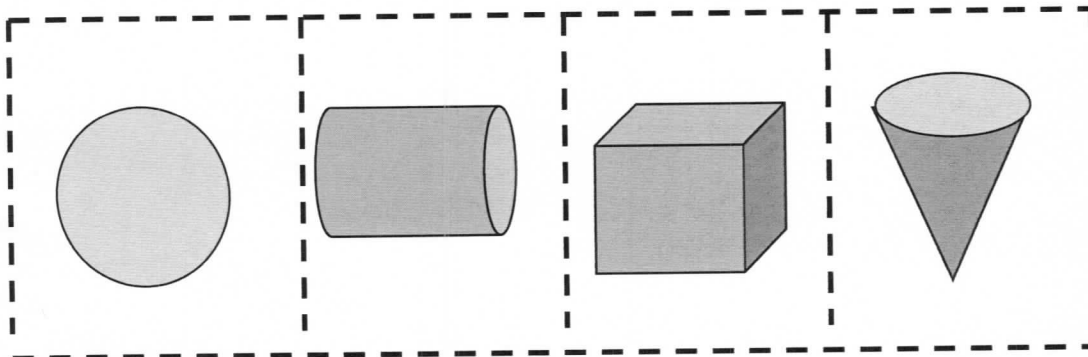
Paste the cube **behind** the train.

Paste the cylinder **in front of** the train.

Paste the cone **below** the train.



Provide one strip
for every student.



wed